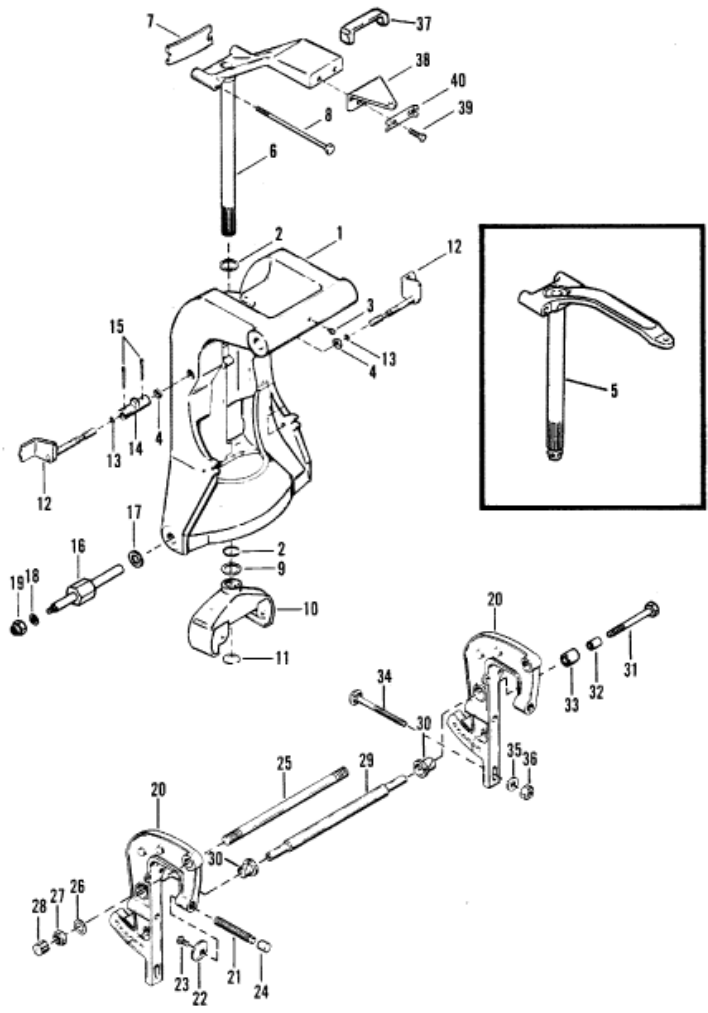


Parts List



Ref	Class	Part	Description	Qty	Comment	Footnote
1	1490	8599A 6	SWIVEL BRACKET	1		
2	26	32911	OIL SEAL, SWIVEL BRACKET	2		
3	22	74036	GREASE FITTING	4		
4	26	22734	OIL SEAL, SWIVEL BRACKET	2		
5		69540A 4	SWIVEL PIN ASSEMBLY (EARLY)	1		
6		88798A 2	SWIVEL PIN ASSEMBLY (LATER)	1		
7		30711	BUMPER, STEERING ARM	1		
8	10	66897	BOLT, UPPER MOUNT TO SWIVE	2		
9	12	25176	WASHER, SWIVEL PIN TO BOT	1		
10		77416	BOTTOM YOKE	1		
11	53	77415	RETAINING RING, BOTTOM YOK	1		
12		89105	TILT LOCK, STARBOARD/PORT	2		
13	25	62702	O RING TILT LOCK	2		2
14		79659	COUPLING, TILT LOCK	1		
15	18	47959	COTTER PIN, TILT LOCK TUBE	2		
16	17	62887	PIN, TRIM CYLINDERS TO SWIV	2		
17	12	63099	WASHER, TRIM CYLINDER PIN (2		
18	12	54012	WASHER, TRIM CYLINDER PIN (2		
19	11	35778	NUT, TRIM CYLINDER PIN	2		
20	1440	8394A 1	CLAMP BRACKET ASSEMBLY	2		
21	10	78492A 1	THUMB SCREW ASSEMBLY	2		
22	12	78493	WASHER, THUMB SCREW	2		
23	10	78495 1	SCREW, WASHER TO THUMB	2		
24		75043	CAP, THUMB SCREW	2		
25		74528	TILT TUBE	1		
26	12	52864	WASHER, TILT TUBE	2		
27	11	56041	NUT, TILT TUBE	2		
28		53078	CAP, PLASTIC - TILT TUBE	2		
29	55	28416	PIN, UPPER	1		
30	23	73203	BUSHING, CLAMP BRACKET	2		
31	10	62882	SCREW, BRACKET TO UPPER PI	2		
32	23	62885	SPACER, MOUNTING BRACKET	2		
32	23	89952	SPACER, MOUNTING BRACKET	2		
33	23	62884	SPACER, MOUNTING BRACKET	2		
34	10	68298	BOLT, CLAMP BRACKET TO TRA	2		
35	12	68410	WASHER, CLAMP BRACKET BOL	2		
34	10	89673	BOLT, CLAMP BRACKET TO TRA	2		
35	12	28420	WASHER, CLAMP BRACKET BOL	2		
36	11	99405	NUT, CLAMP BRACKET BOLT	4		
37		62297	BUMPER, STEERING ARM W/D	1		
38		76525	BRACKET, RIDE GUIDE ATTACH	1		

W/O TILLER HANDLE